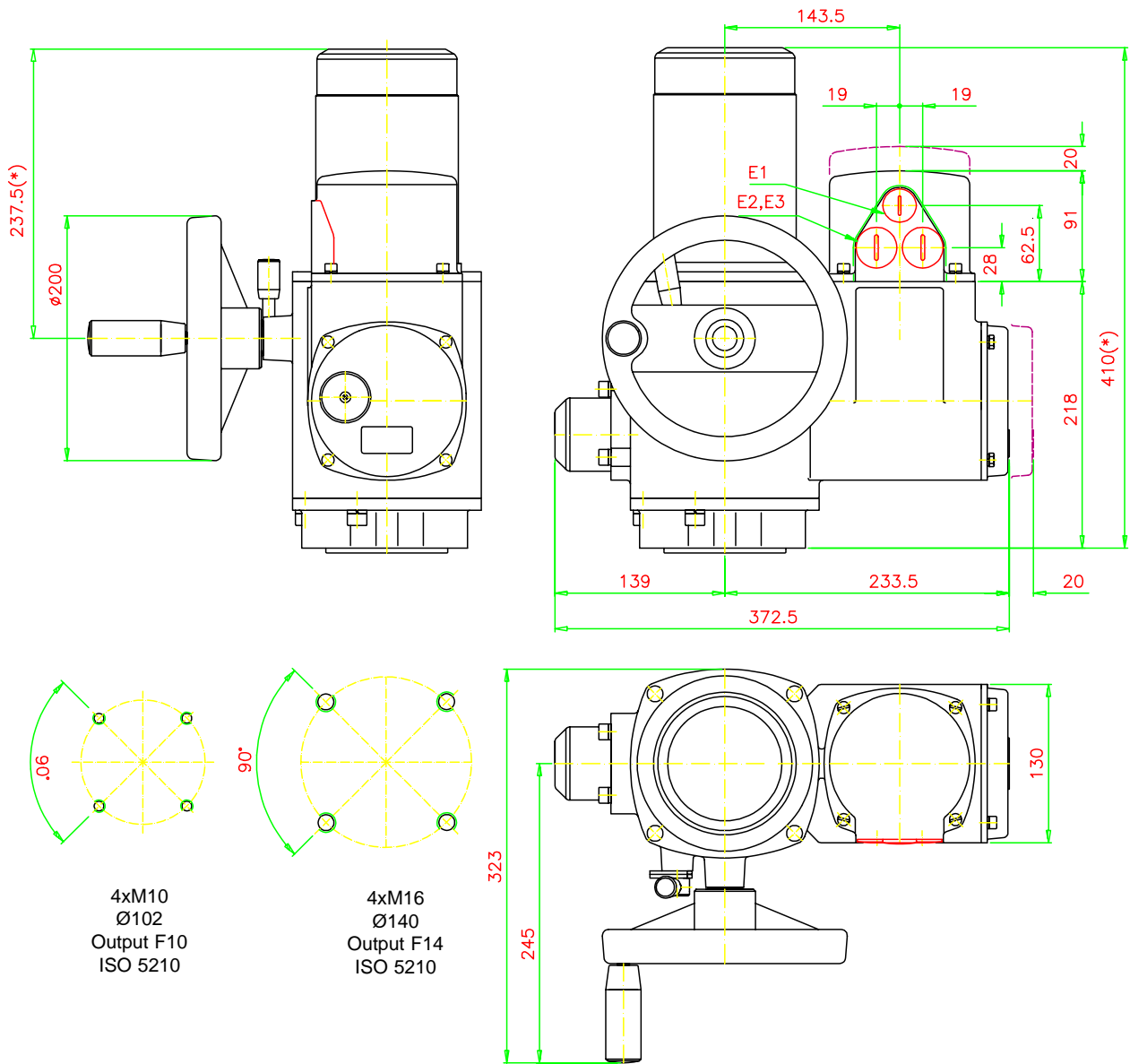


**DIMENSIONS 400-012 // 410-012
400-025 // 410-025**

**SERIES 400
410**



Cables entries:

- Standard configuration
E1: Pg 16
E2,E3: Pg 21
- Option NPT:
E1: ½" NPT
E2,E3: ¾" NPT
- Option metric:
E1: M20x1,5
E2,E3: M25x1,5

Dimensions in mm.

(*) Exact dimensions depending on motor required.

Approximate weight : 34,2 (Kg.).

Subject to change without notice. Previous data sheets invalid with the issue of the latest data sheets.

VALVE
CONTROL



N° :

E1400A021

Issued:

06.02