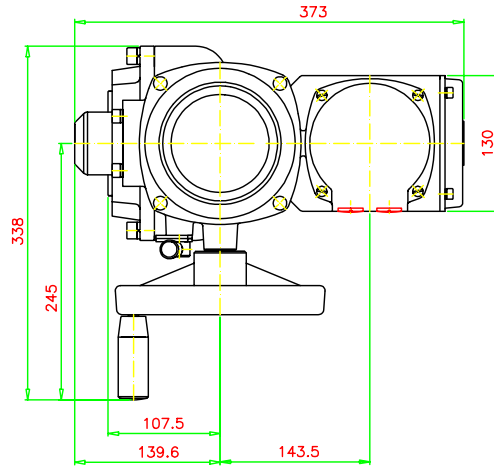


4xM16
Ø140
Output F14
ISO 5210

Cables entries:

- Standard configuration
E1: Pg 16
E2,E3: Pg 21
- Option NPT:
E1: ½" NPT
E2,E3: ¾" NPT
- Option metric:
E1: M20x1,5
E2,E3: M25x1,5



Dimensions in mm.

(*) Exact dimensions depending on motor required.

Approximate weight : 53 (kg.)

Subject to change without notice. Previous data sheets invalid with the issue of the latest data sheets.

VALVE
CONTROL



Nº :

E1401A021

Issued:

06.02