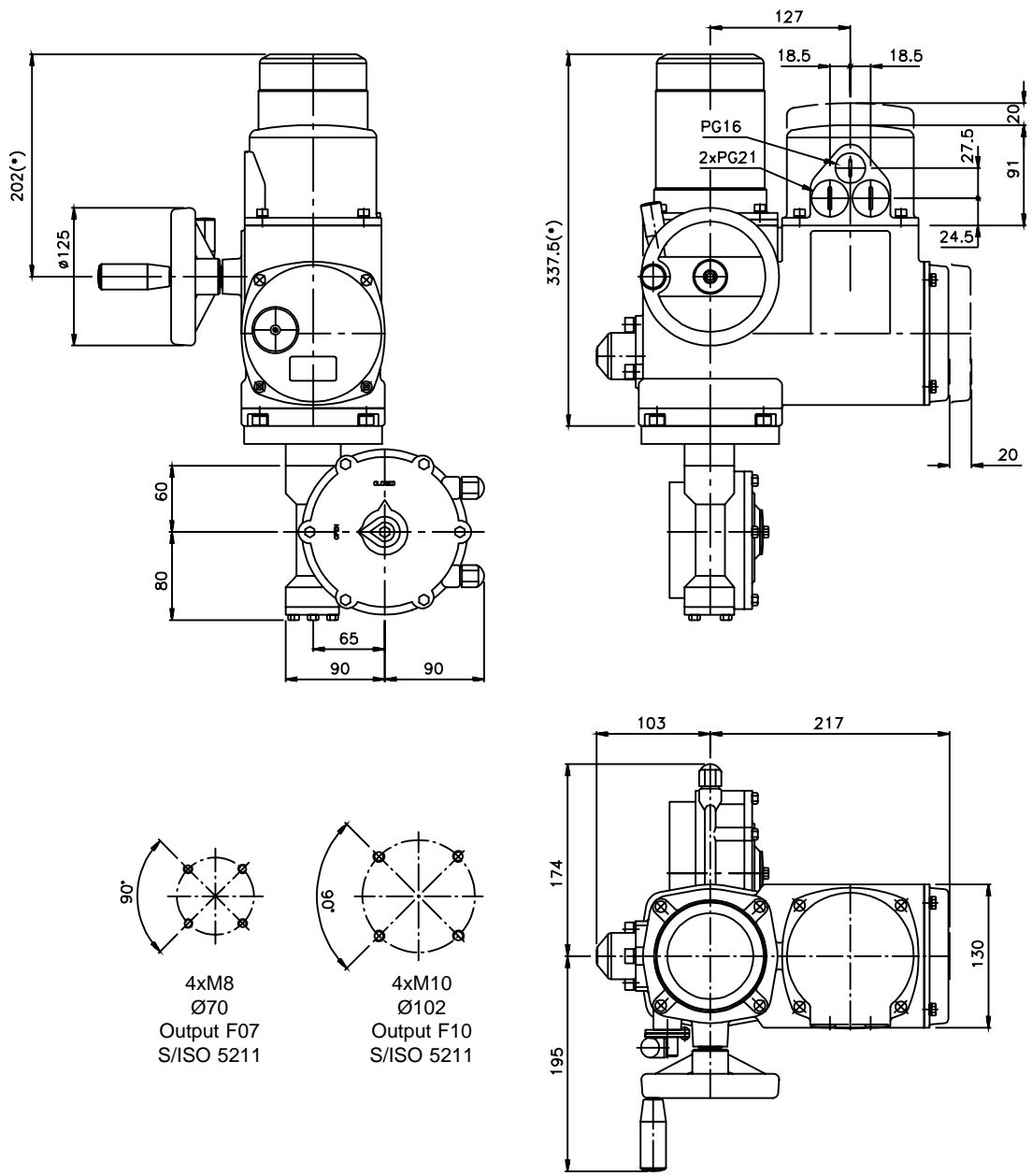


DIMENSIONS
400-003+CW045

440/450 SERIES



Dimensions in mm.

(*) Exact dimensions depending on motor required.

Approximate weight : 30,6 Kg.

Subject to change without notice. Previous data sheets invalid with the issue of the latest data sheets.

VALVE
CONTROL



N° :

E1440X021

Issued:

09.99