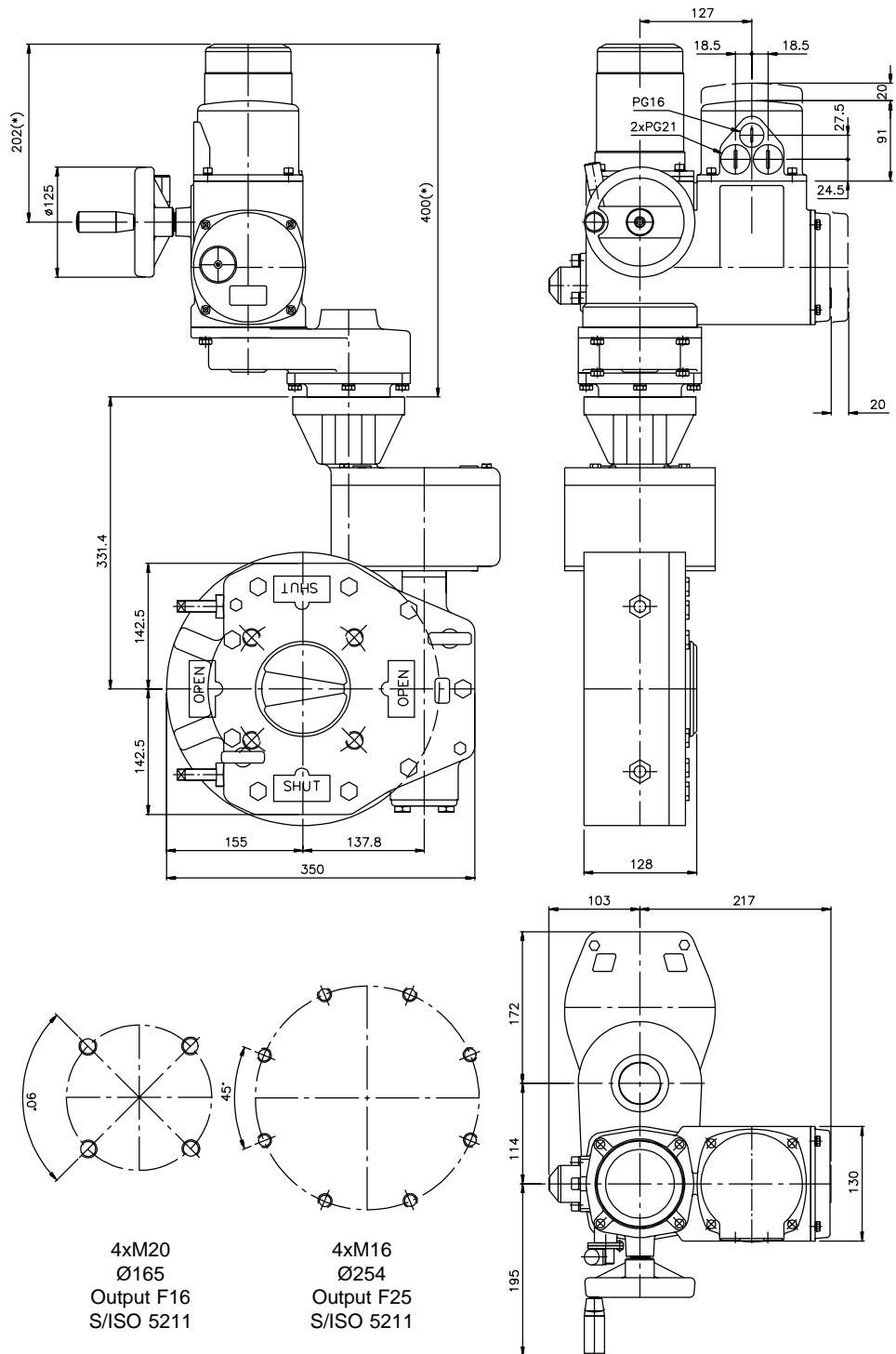


**DIMENSIONS  
401-012+CW630**

**440/450 SERIES**



Dimensions in mm.

(\*) Exact dimensions depending on motor required.

**Approximate weight : 88,6 Kg.**

Subject to change without notice. Previous data sheets invalid with the issue of the latest data sheets.

VALVE  
CONTROL



N° :

**E1440X037**

Issued:

**09.99**