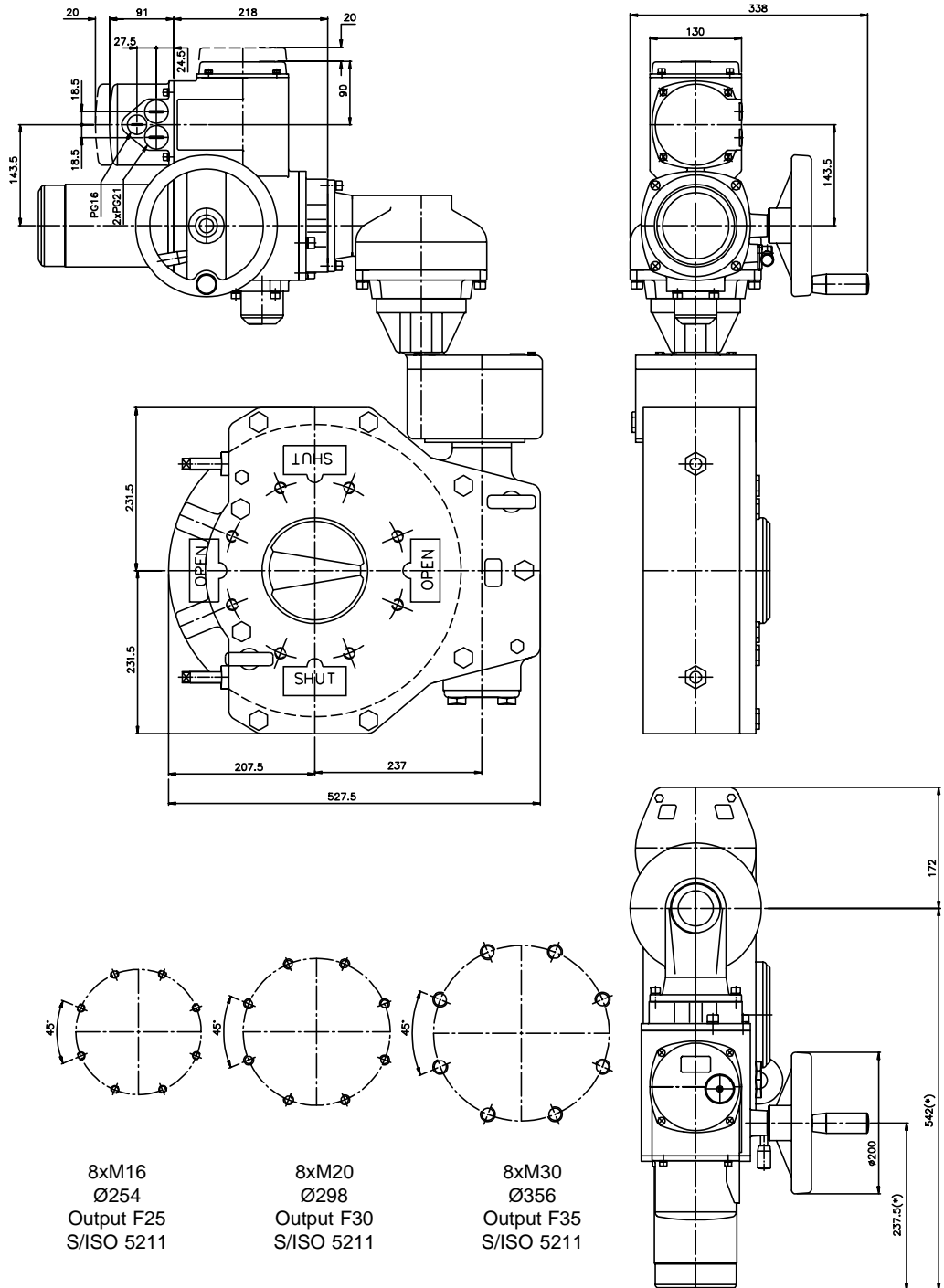


**DIMENSIONS**  
**401-025+CW1800**

**440/450 SERIES**



Dimensions in mm.  
(\* ) Exact dimensions depending on motor required.

**Approximate weight : 216,6 Kg.**

Subject to change without notice. Previous data sheets invalid with the issue of the latest data sheets.

VALVE  
CONTROL



N° :  
**E1440X045**

Issued:  
**09.99**