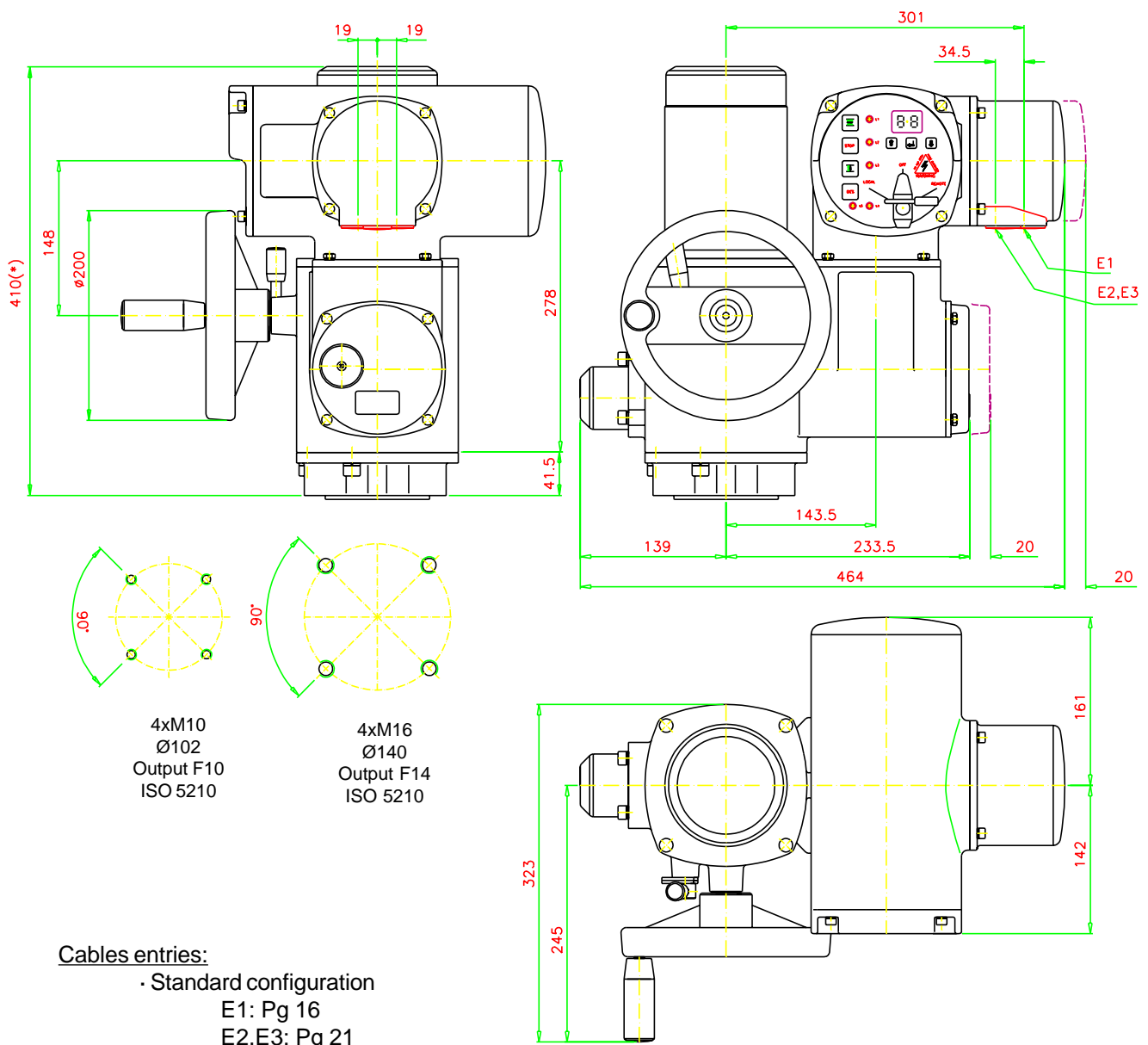


DIMENSIONS

**402-002 // 414-012
402-025 // 414-025**

**402
414 SERIES**



4xM10
Ø102
Output F10
ISO 5210

4xM16
Ø140
Output F14
ISO 5210

Cables entries:

- Standard configuration
E1: Pg 16
E2,E3: Pg 21
- Option NPT:
E1: ½" NPT
E2,E3: ¾" NPT
- Option metric:
E1: M20x1,5
E2,E3: M25x1,5

Dimensions in mm.
(* Exact dimensions depending on motor required.)

Approximate weight : 41 (Kg.).

Subject to change without notice. Previous data sheets invalid with the issue of the latest data sheets.

**VALVE
CONTROL**



**N° :
E1402A021**

**Issued:
06.02**