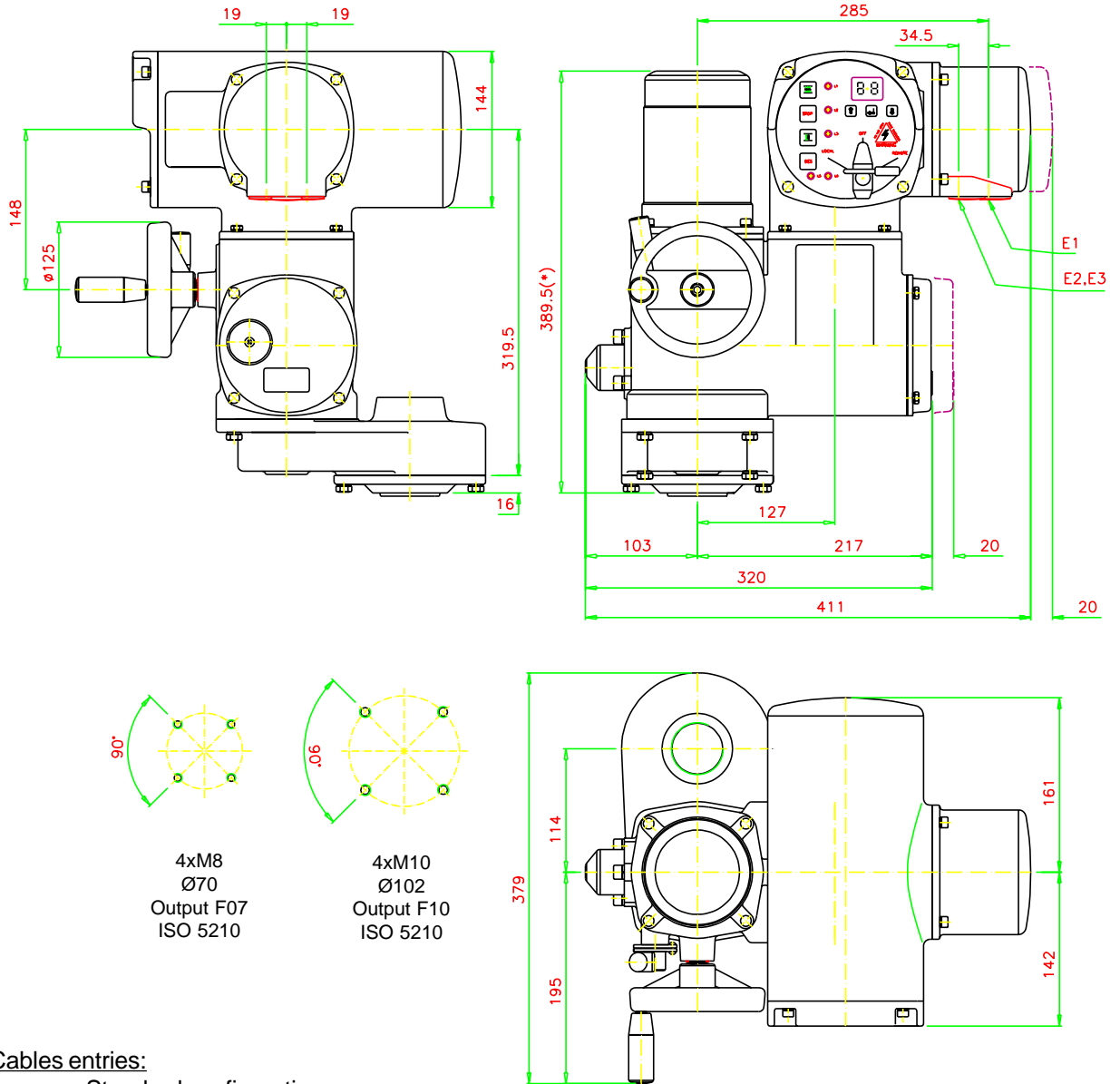


DIMENSIONS

**403-003 // 415-003
403-006 // 415-006
403-012 // 415-012**

**403
415 SERIES**



4xM8
Ø70
Output F07
ISO 5210

4xM10
Ø102
Output F10
ISO 5210

Cables entries:

- Standard configuration
E1: Pg 16
E2,E3: Pg 21
- Option NPT:
E1: ½" NPT
E2,E3: ¾" NPT
- Option metric:
E1: M20x1,5
E2,E3: M25x1,5

Dimensions in mm.

(*) Exact dimensions depending on motor required.

Approximate weight : 40 (Kg.).

Subject to change without notice. Previous data sheets invalid with the issue of the latest data sheets.

**VALVE
CONTROL**



N° :

E1403A020

Issued:

06.02