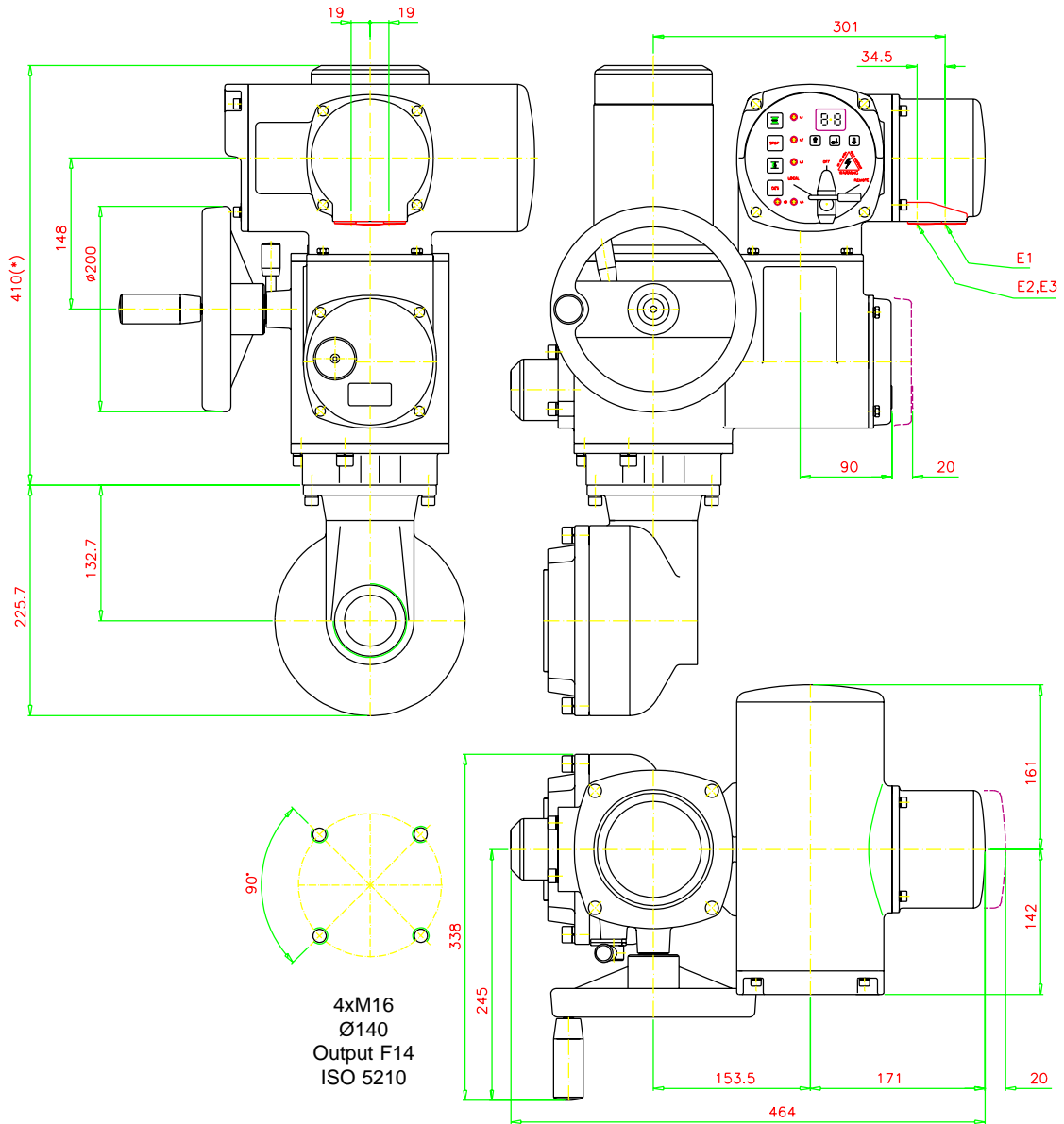


**DIMENSIONS**

**403-025 // 415-025  
403-050 // 415-050**

**403  
415 SERIES**



**Cables entries:**

- Standard configuration  
E1: Pg 16  
E2,E3: Pg 21
- Option NPT:  
E1: ½" NPT  
E2,E3: ¾" NPT
- Option metric:  
E1: M20x1,5  
E2,E3: M25x1,5

Dimensions in mm.

(\*) Exact dimensions depending on motor required.

**Approximate weight: 60 (Kgs.)**

Subject to change without notice. Previous data sheets invalid with the issue of the latest data sheets.

**VALVE  
CONTROL**



**N° :**

**E1403A021**

**Issued:**

**06.02**