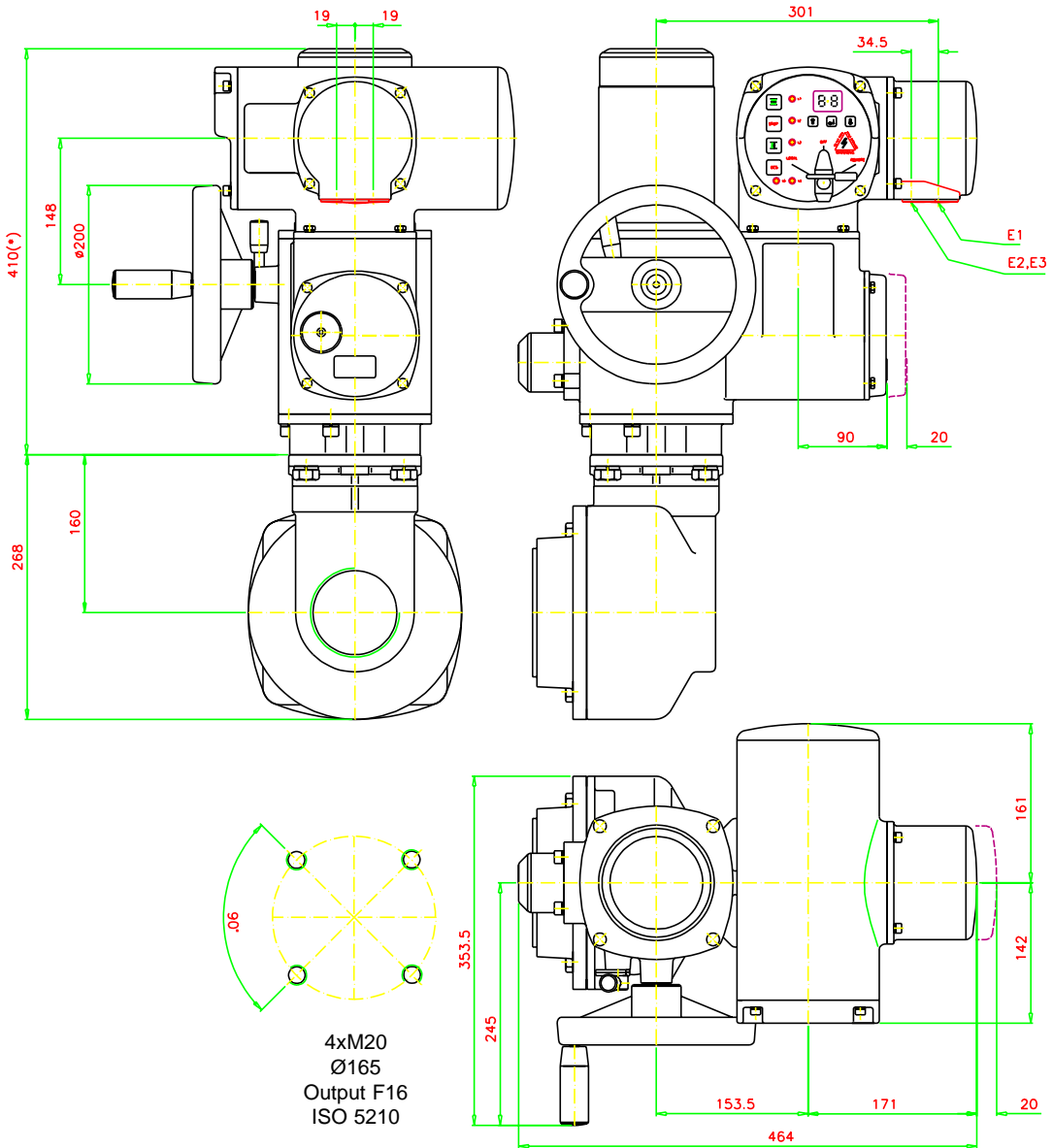


DIMENSIONS

403-100 // 415-100

**403
415 SERIES**



Cables entries:

- Standard configuration
E1: Pg 16
E2,E3: Pg 21
- Option NPT:
E1: ½" NPT
E2,E3: ¾" NPT
- Option metric:
E1: M20x1,5
E2,E3: M25x1,5

Dimensions in mm.

(*) Exact dimensions depending on motor required.

Approximate weight: 73 (Kgs.)

Subject to change without notice. Previous data sheets invalid with the issue of the latest data sheets.

VALVE
CONTROL



N° :

E1403A022

Issued:

06.02