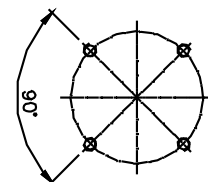
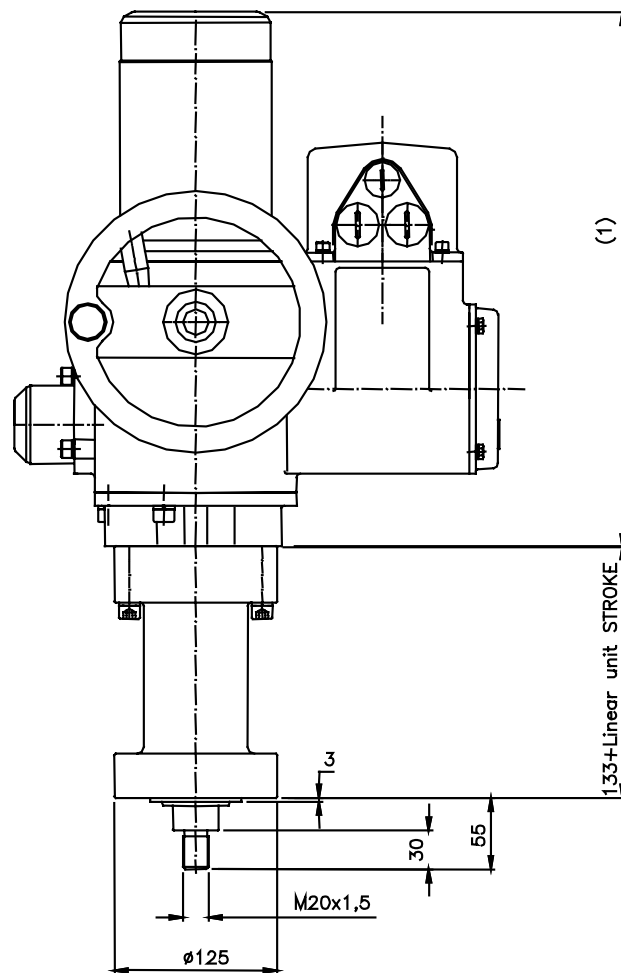


LINEAR THRUST UNIT DIMENSIONS

SERIES

400. 410.
40B. 41B.
4H0. 4P0.

Linear Thrust unit LC 38



4xM10
ø102
Output F10
DIN3358

NOTES:

- 1) Actuator dimensions depends on model (Series) and size, see suitable CENTORK electric actuators technical sheet.
- 2) Dimension depends on linear thrust unit stroke.

Instead of valve mounting flange, the linear thrust unit can be mounted on a base support. For further information, contact Centork Valve Control S.L.

VALVE
CONTROL



N° :

E1400X203

Revision:

04.05