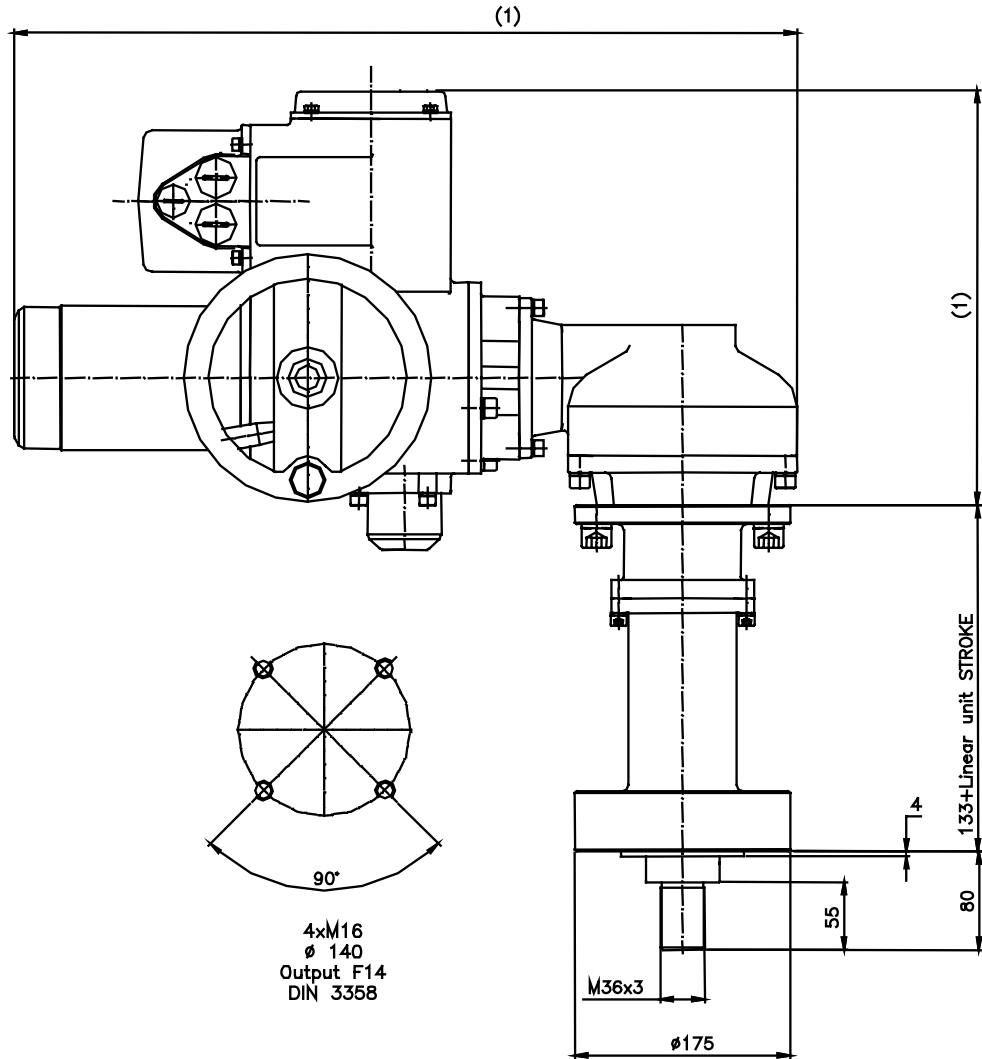


# LINEAR THRUST UNIT DIMENSIONS

SERIES	400.	410.
	40B.	41B.
	4H0.	4P0.

## Linear Thrust unit LC 125



### NOTES:

- 1) Actuator dimensions depends on model (Series) and size, see suitable CENTORK electric actuators technical sheet.
- 2) Dimension depends on linear thrust unit stroke.

Instead of valve mounting flange, the linear thrust unit can be mounted on a base support. For further information, contact Centork Valve Control S.L.

VALVE  
CONTROL



N° :

**E1400X205**

Revision:

**04.05**