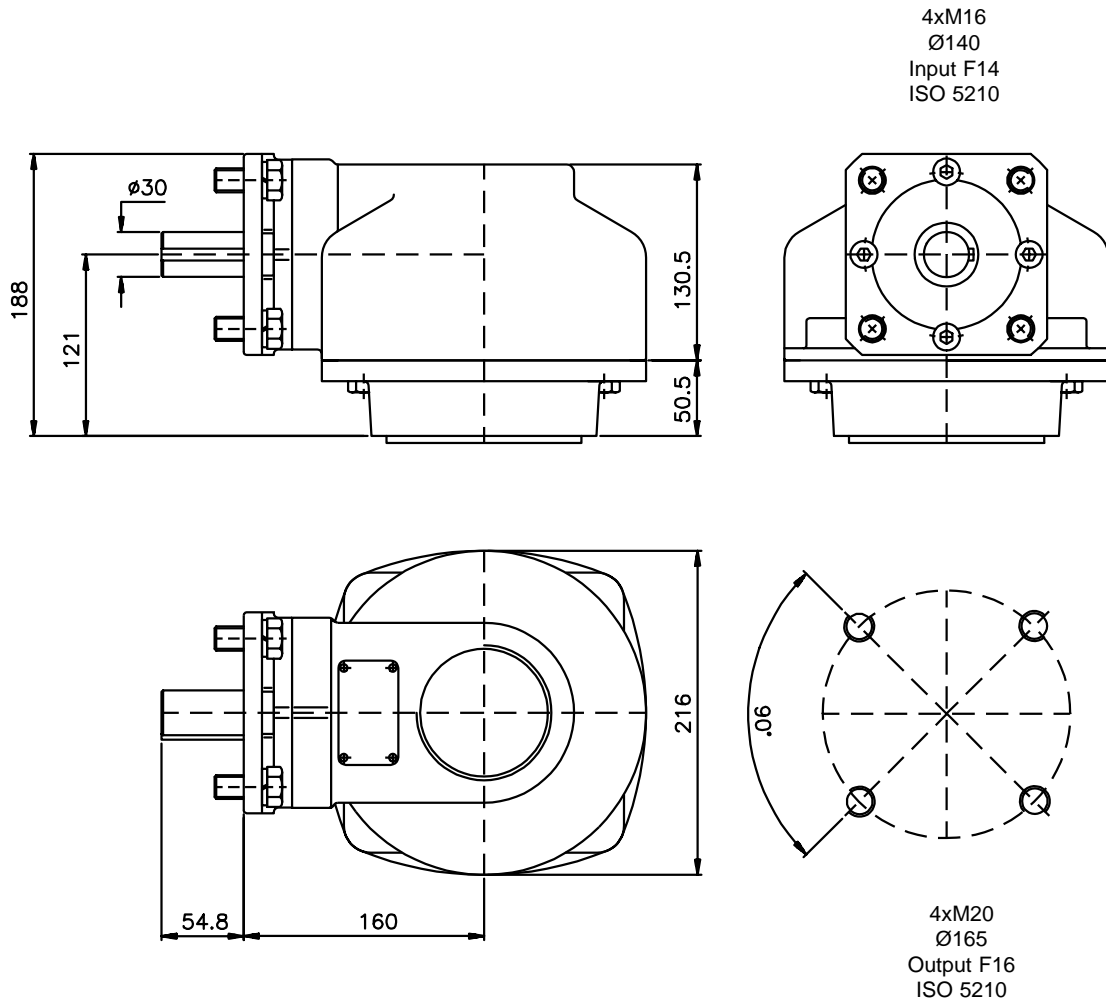


**DIMENSIONS**  
**510-100**

**510 SERIES**



Dimensions in mm.

**Approximate weight: 30 (Kgs.)**

Subject to change without notice. Previous data sheets invalid with the issue of the latest data sheets.

VALVE  
CONTROL



N° :

**E1510A021**

Issued:

**10.01**