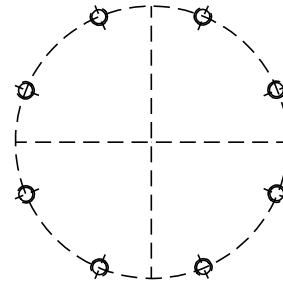
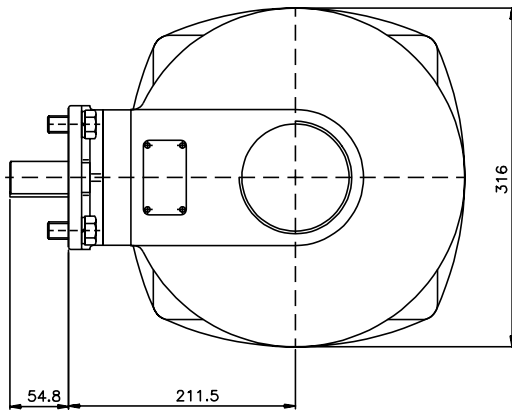
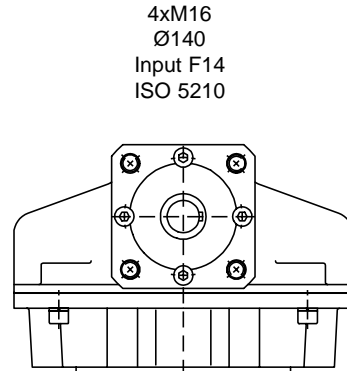
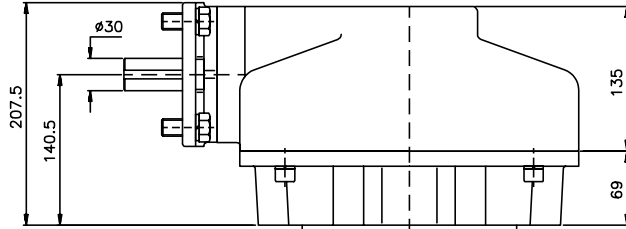


DIMENSIONS
510-200

510 SERIES



8xM16
Ø254
Output F25
ISO 5210

Dimensions in mm.

Approximate weight: 61 (Kgs.)

Subject to change without notice. Previous data sheets invalid with the issue of the latest data sheets.

VALVE
CONTROL



N° :

E1510A022

Issued:

10.01