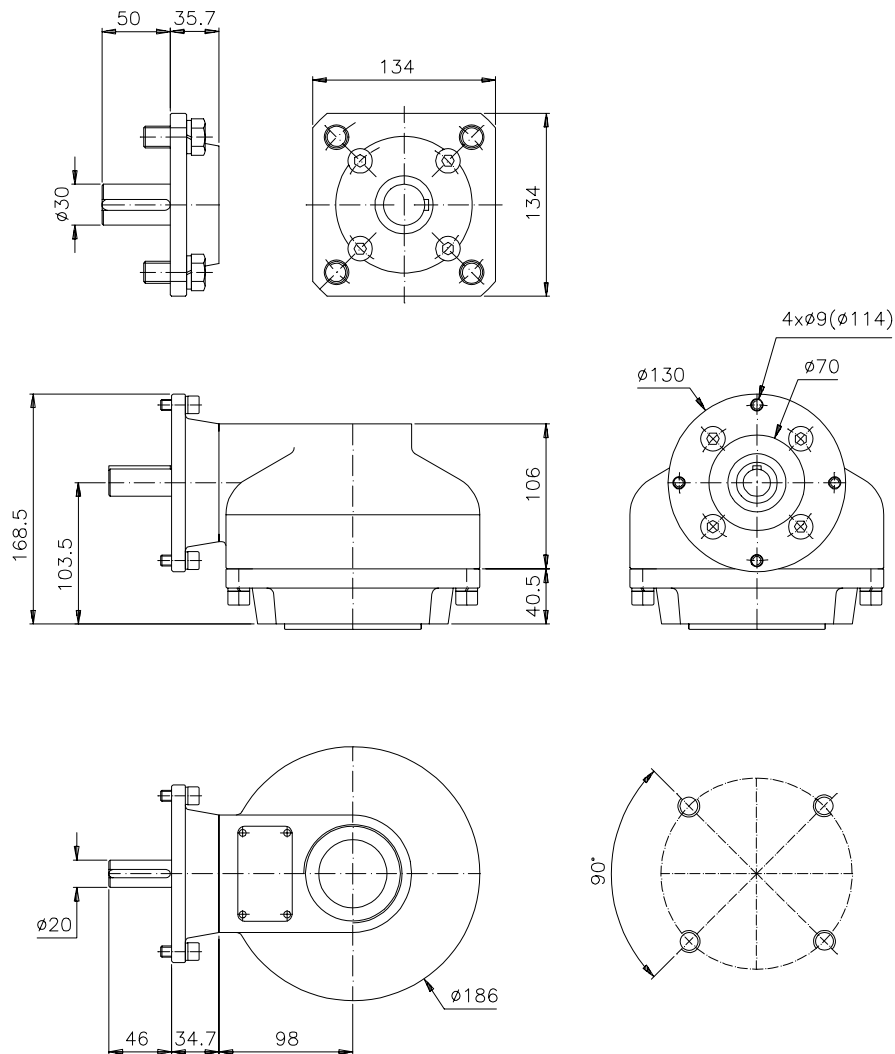


DIMENSIONS
510-025//510-050

510 SERIES

4xM16
 Ø140
 Input F14
 ISO 5210



Dimensions in mm.

Approximate weight: 18 (kgs.)

Subject to change without notice. Previous data sheets invalid with the issue of the latest data sheets.

VALVE
 CONTROL



N° :

E1510B020

Issued:

10.01