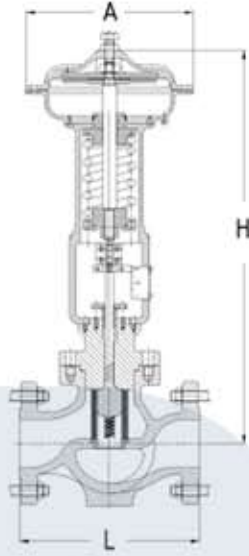


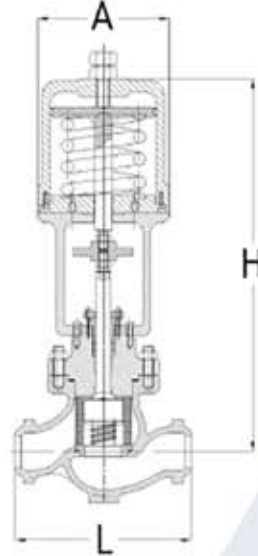
CONTROL VALVE WITH DIAPHRAGM & CYLINDER (PISTON) ACTUATOR



DİYAFRAM & PİSTON AKTÜATÖRLÜ KONTROL VANASI



Diaphragm Type Globe Valve



Cylinder Type Globe Valve

Valve Size		L (mm)					
		ANSI 150	ANSI 300	ANSI 600	ANSI 900	ANSI 1500	ANSI 2500
1 inch	25 mm	127	203	216	254	254	308
1½ inch	40 mm	165	229	241	305	305	384
2 inch	50 mm	203	267	292	368	368	451
3 inch	80 mm	241	318	356	381	470	578
4 inch	100 mm	292	356	432	457	546	673
6 inch	150 mm	406	444	559	610	705	914
8 inch	200 mm	495	559	660	737	832	1022
10 inch	250 mm	622	622	787	838	991	1270
12 inch	300 mm	698	711	838	965	1130	1422

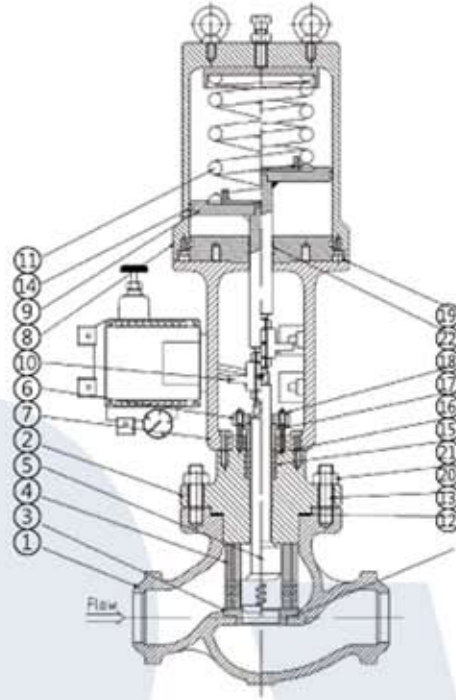
Valve Size		H (mm)		A (mm)	
		Diaphragm	Sylinder	Diaphragm	Sylinder
1 inch	25 mm	900	700	410	340
1½ inch	40 mm	900	700	410	340
2 inch	50 mm	950	720	430	360
3 inch	80 mm	980	840	430	350
4 inch	100 mm	1200	1130	500	320
6 inch	150 mm	1330	1220	600	520
8 inch	200 mm	1620	1500	780	650
10 inch	250 mm	1790	1750	800	680
12 inch	300 mm	2000	1940	850	710



CONTROL VALVE WITH DIAPHRAGM & CYLINDER (PISTON) ACTUATOR



DİYAFRAM & PİSTON AKTÜATÖRLÜ KONTROL VANASI



NO	Part Name	Material		
1	Body	A216-WCB	A217-WC9	A351-CF8M
2	Bonnet	A216-WCB	A276-F22/A217-WC9	A276-316/ A351-CF8M
3	Seating	A276-410	A276-F22	A276-316
4	Cage	A276-410	A276-410	A276-410
5	Plug	A276-316	A276-316	A276-316
6	Gland Flange	A276-410	A276-410	A276-410
7	Yoke	A216-WCB	A217-WC9	A351-CF8M
8	Cylinder	B26	B26	B26
9	Piston Stem	C/S 1045+Cr.Plating	C/S 1045+Cr.Plating	C/S 1045+Cr.Plating
10	Plate Clamp	A276-410	A276-410	A276-410
11	Spring	SS304	SS304	SS304
12	Gasket	SS316/Graphite	SS316/Graphite	SS316/Graphite
13	Gasket	SS316/Graphite	SS316/Graphite	SS316/Graphite
14	O-Ring	Viton	Viton	Viton
15	Mold Packing	Graphite	Graphite	Graphite
16	Filled Packing	Graphite	Graphite	Graphite
17	Gland Flange Bolt	A193-B7	A193-B7	A193-B8
18	Gland Flange Nut	A194-2H	A194-2H	A194-8
19	Cylinder Bolt	A193-B7	A193-B7	A193-B8
20	Bonnet Bolt	A193-B7	A193-B16	A193-B8
21	Bonnet Nut	A194-2H	A194-4	A194-8
22	Oilless Bushing	B124-C37700	B124-C37700	B124-C37700



CONTROL VALVE WITH DIAPHRAGM & CYLINDER (PISTON) ACTUATOR



DIYAFRAM & PİSTON AKTÜATÖRLÜ KONTROL VANASI

Diaphragm Actuator



Item		Specification
Actuator Size		450 in ² and below
Actuator Rated Travel		4 inch and below
Bench Set		7 ~ 19 psig
Operating Pressure		60 psig
Max. Rated Air Pressure		100 psig
Handwheel & Mounting		Option
Material	Casing	Carbon Steel / Stainless Steel
	Yoke	ASTM A216-WCB
	Piston	ASTM 276-316 or 304
Accessories		Option

Application

- Control valve and pressure reducing valve

Distinguished Characteristics

- Highly reliable and durable with precise response characteristic
Designed and verified in accordance with nuclear specification(J232A)

Cylinder (Piston) Actuator



Item		Specification
Actuator Size		350 in ² and below
Actuator Rated Travel		1.5 inch and below
Bench Set		3 ~ 8 psig
Operating Pressure		60 psig
Max. Rated Air Pressure		125 psig
Handwheel & Mounting		Option
Material	Casing	Aluminum Alloy / Carbon Steel Stainless Steel
	Yoke	ASTM A216-WCB
	Piston	ASTM 276-316 or 304
Accessories		Option

Application

- Control valve

Distinguished Characteristics

- Highly reliable and durable with precise response characteristic Safety proven by equipment qualification(seismic and environmental test) and performance qualification test (control capability, leakage and durability test) in accordance with applicable nuclear safety class requirements(J232B)

