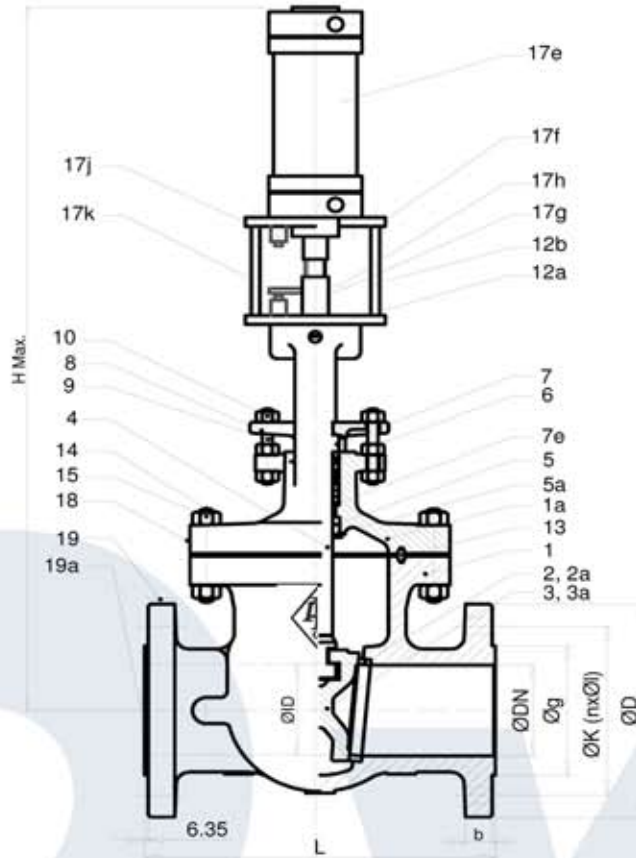


# CLASS 600 GATE VALVE

## CLASS 600 SÜRGÜLÜ VANA



DIMENSIONS & WEIGHT of E520										
DN	ID	ØD	b	Øg	ØK	n	Øl	L	H	Kv
inc.	mm	mm	mm	mm	mm	no	mm	mm	mm	m <sup>3</sup> /h
2"	51	165	26	92	127	8	19	292	490	240
3"	76	210	32	127	168	8	22	356	590	520
4"	102	273	38	157	200	8	22	432	720	970
6"	152	356	48	216	270	12	22	559	970	2150
8"	203	419	56	270	330	12	26	660	1250	3850

PART LIST for Material No.11							
Item	PART NAME	Symb.	material	Item	PART NAME	Symb.	material
1	BODY	WCB	ASTM A216 Gr.WCB	12a	FLANGE	ST	STEEL
1a	BONNET	WCB	ASTM A216 Gr.WCB	12b	BOLT	B	ASTM A307 B
2	BODY SEAT RING	ST	ASTM A105	13	GASKET	NASF	Non Asbestos S.Fb.
2a	Body Seat FACE	Cr13	AWS ER420	14	STUD BOLT	B7	ASTM A193 Gr.B7
3	WEDGE (*)	WCB	ASTM A216 Gr.WCB	15	NUT	2H	ASTM A194 Gr.2H
3a	Wedge Seat FACE	Cr13	AWS ER420	17e	PNEUMATIC CYLINDER		
4	STEM	Cr13	ASTM A276 T.410	17f	ADAPTOR	ST	STEEL
5	BACK RING	Cr13	ASTM A276 T.410	17g	COUPLING	ST	CARBON STEEL
5a	Back Ring FACE		INTEGRAL	17h	SETSCREW	ST	CARBON STEEL
6	PACKING	GRF	GRAPHITE	17j	LIMIT SWITCH		
7	GLAND	CR13	ASTM A276 T.410	17k	INDICATOR	ST	STEEL
7e	WHASHER	ST	STEEL	18	NAME PLANT	SP	STAINLESS PLATE
8	GLAND FLANGE	WCB	ASTM A216 Gr.WCB	19	PAINT	EP	EPOXY
9	GLAND BOLT	B	ASTM A307.B	19a	END COVER	PVC	PLASTIC
10	GLAND NUT	B	ASTM A307.B				

