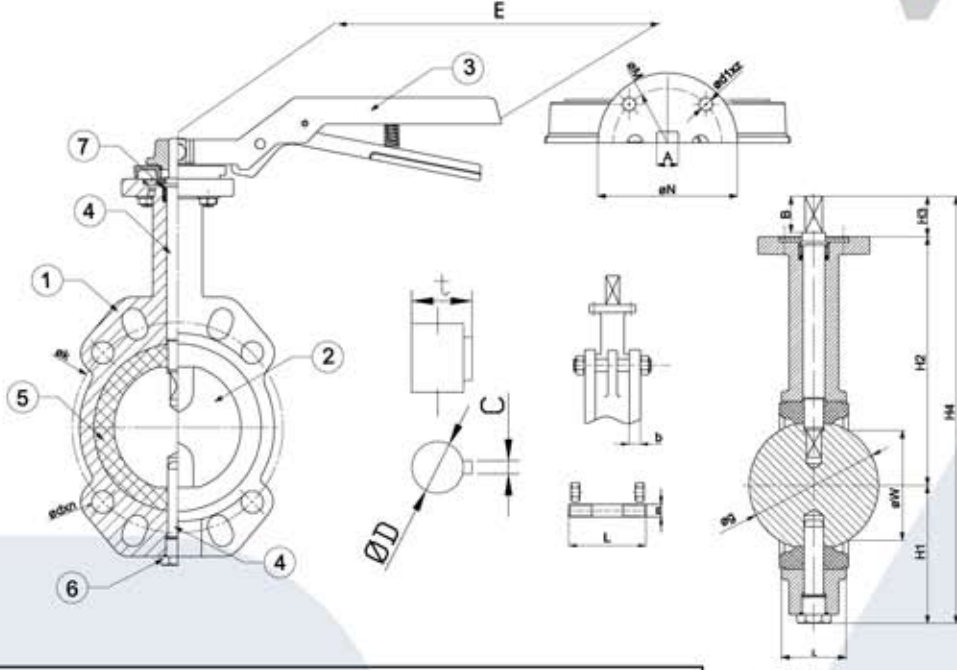


WAFER BUTTERFLY VALVES

WAFER KELEBEK VANA



MALZEME ÖZELLİKLERİ / MATERIALS

NO	PARÇA ADI	PART NAME	MALZEME	MATERIAL
1	GÖVDE	BODY	GG25 / GGG40	GG25 / GGG40
2	KLAPE	DISC	GGG40.3 / NİKEL KAPLAMA	GGG40.3 / NICKEL PLATED
3	KOL	LEVER	GGG40	GGG40
4	ÜST / ALT MİL	TOP / BOTTOM STEM	PASLANMAZ ÇELİK	STAINLESS STEEL
5	SIZDIRMAZLIK YATAĞI	SEAT	EPDM / NBR	EPDM / NBR
6	TAPA	PLUG	ÇELİK	STEEL
7	SALMASTRA	PACKING	FIBER GLASS	FIBER GLASS

Tüm boyalar diğeri kutulu pnömatrik, elektrik aktüatörlü olabilir.
All sizes can be equipped with gearbox or pneumatic, electric actuator.

DN	PN 6								PN 10								PN 16								ØD	c	t	E	
	k	n	ød	Flang Kal. Thickness (mm)	SAPLAMA / STUD Ölçüsü/uzunluk (mm)	Adet (Qty)	k	n	ød	Flang Kal. Thickness (mm)	SAPLAMA / STUD Ölçüsü/uzunluk (mm)	Adet (Qty)	k	n	ød	Flang Kal. Thickness (mm)	SAPLAMA / STUD Ölçüsü/uzunluk (mm)	Adet (Qty)											
40	100	4	14	16	M12x102	4	110	4	19	18	M16x105	4	110	4	19	18	M16x107	4											
50	110	4	14	16	M12x110	4	125	4	19	20	M16x119	4	125	4	19	20	M16x119	4											
65	130	4	14	16	M12x115	4	145	4	19	20	M16x122	4	145	4	19	20	M16x122	4											
80	150	4	19	18	M16x118	4	160	8	19	20	M16x122	8	160	8	19	20	M16x122	8											
100	170	4	19	18	M16x125	4	180	8	19	22	M16x132	8	180	8	19	22	M16x132	8											
125	200	8	19	20	M16x132	8	210	8	19	22	M16x136	8	210	8	19	22	M16x136	8											
150	225	8	19	20	M16x138	8	240	8	23	24	M20x146	8	240	8	23	24	M20x146	8											
200	280	8	19	22	M16x146	8	295	8	23	24	M20x150	8	295	12	23	26	M20x154	8											
250	335	12	19	24	M16x158	12	350	12	23	26	M20x162	12	355	12	28	29	M24x174	12											
300	395	12	23	24	M20x168	12	400	12	23	26	M20x172	12	410	12	28	32	M24x190	12											
350	445	12	23	26	M20x186	12	460	12	23	28	M20x190	12	470	16	28	35	M24x210	12	31.8	8	35.1								
400	495	16	23	28	M20x210	16	515	16	28	32	M24x214	16	525	16	31	38	M27x232	16	33.3	10	36.6								
450	550	16	23	28	M20x210	16	565	16	28	36	M24x226	16	585	20	31	42	M27x252	16	38.1	10	41.4								
500	600	20	23	30	M20x235	20	620	20	28	38	M24x251	20	650	20	34	46	M30x277	20	41.3	10	44.6								
600	705	20	28	30	M24x262	20	725	20	31	42	M24x286	20	770	20	37	52	M33x320	20	50.8	16	55.10								

DN	øg	H1	H2	H3	H4	B	L	W	Mil / Stem	TEPE FLANŞI / TOP FLANGE (ISO 5211)				Ağırlık (Weight) Kg.
										A	TİP (TYPE)	øN	øM	
40	42.5	77	144	32.5	254	32	33	26.8	11	F05	65	50	7x4	2.5
50	53	81	162	32.5	275.5	32	43	31	11	F05	65	50	7x4	3
65	65	87	175.5	32.5	295	32	46	45.9	11	F05	65	50	7x4	3.5
80	79	99	193	32.5	324.5	32	46	62.2	11	F05	65	50	7x4	4
100	104.5	111	200	32.5	343.5	32	52	90.6	14	F07	90	70	9x4	6
125	121.5	132	218	33	383	32	56	110	17	F07	90	70	9x4	7
150	156	144.5	226	33	403.5	32	56	145.6	17	F07	90	70	9x4	9
200	203	185.5	280	40.5	506	39.5	60	193.9	17	F10	125	102	12x4	14
250	251	208.5	314.5	40.5	563.5	39.5	68	241.6	22	F10	125	102	12x4	20
300	302.5	251	354	40.5	645.5	39.5	78	292.3	22	F10	125	102	12x4	33
350	354	277	388	45	710	44	92	341.8	22	F10	125	102	12x4	49
400	402	308	416	51	775	50	102	388.8	27	F16	210	165	22x4	90
450	455	342	455	51	848	50	114	445.6	27	F16	210	165	22x4	110
500	492.5	374	490	64	928	63	127	480.5	36	F16	210	165	22x4	150
600	582	459	562	70	1091	69	154	566.4	36	F16	210	165	22x4	242

SICAKLIK / BASINÇ TEMPERATURE / PRESSURE	
° C	-10..... + 120
PN	6/10/16
UYGULAMALAR • HVAC Sistemleri • Arıtma Tesisleri • Kağıt Endüstrisi • Tatlı su tesisatları • Deniz suyu	APPLICATIONS • HVAC Systems • Water treatment systems • Paper Industry • Fresh water system • Sea water



Adres : İkitelli OSB Eskoop Sanayi Sitesi C8 Blok No:549 Başakşehir / İstanbul Türkiye
Tel: 212 297 57 30 Fax: 212 297 57 33 E-mail : dd@ddvalve.com Web: www.ddvalve.com