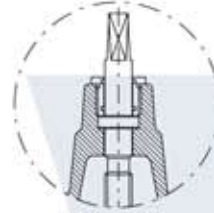
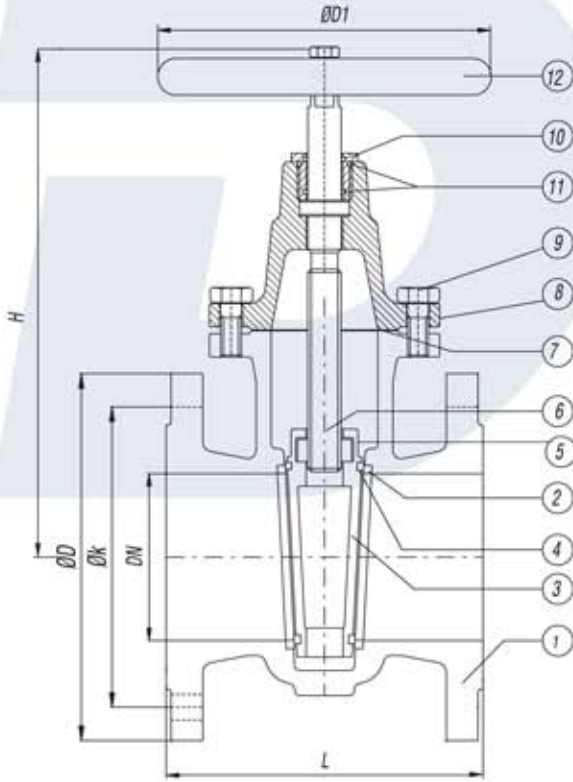


GATE VALVE SÜRGÜLÜ VANA



O-RİNG SİSTEMLİ
PN10/PNG
TS 457/1
DIN 3352/2-F4(DIN 3216)
DN 40...900
BBFT No:207-400
207-500

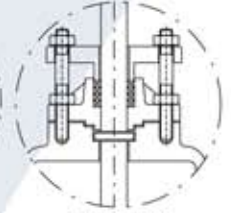
NO	PART NAME	PARÇA ADI	MATERIAL / MALZEME	
1	Body	Gövde	GG 25 / GGG-40	
2	Seat Ring	Gövde Burcu	Ms 58 / Bronze/S.S	
3	Wedge Ring	DN40...100	DN40...100 Sürgü	Ms 58 / Bronze/S.S
		DN125...900	DN125...900 Sürgü	GG 25 / GGG-40
4	Wedge Nut	Sürgü Burcu	Ms 58/Bronze/S.S	
5	Wedge Nut	Sürgü Somunu	Ms 58/Bronze/GGG 40	
6	Stem	Mil	Ms 58/Bronze/S.S	
7	Gasket	Conta	EPDM/FRANZELİT/KLINGERİT	
8	Bonnet	Kapak	GG 25 / GGG-40	
9	Bolt	Civata	5 D.S.S	
10	Packing nut	Mil Somunu	Ms 58/Bronze/S.S	
11	O-Ring	O-Ring	Epdm	
12	Handwheel	Volan	GG 20	



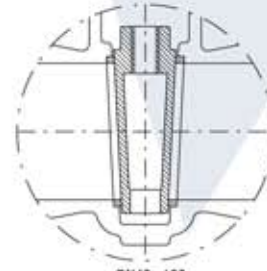
DN 40...DN200
O-Ringli mil
O-Ringli Stem



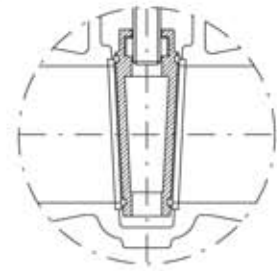
DN 250/300
Salmastra Detayı
Packing Detail



DN 350...900
Salmastra Detayı
Packing Detail



DN 40...100
Sürgü Tipi
Wedge Type



DN 125...900
Sürgü Tipi
Wedge Type

Nominal Pressure / Anma Basıncı	PN	10						6			4			2,5		1,6	1	
Nominal Diameter / Anma Çapı	DN	40	50	65	80	100	125	150	200	250	300	350	400	500	600	700	800	900
Valve Dimensions / Vana Boyutları TS 457/1 DIN3352/2-F4	L	140	150	170	180	190	200	210	230	250	270	290	310	350	390	430	470	510
	H	157	190	210	230	260	365	375	500	630	715	820	910	1135	1300	1480	1690	1820
	D1	160				200	250			315			400		500	630	800	
Flange Dimensions / Flans Ölçüleri DIN2501/TS 810 PN10	D	150	165	185	200	220	250	285	340	395	445	505	565	670	780	895	1015	1115
	k	110	125	145	160	180	210	240	295	350	400	460	515	620	725	840	950	1050
Weight / Ağırlık	kg	8.3	10.2	13.7	15.5	22.1	37	44.2	81	123	176	225	290	460	680	870	1200	1400



Adres : İkitelli OSB Eskoop Sanayi Sitesi C8 Blok No:549 Başakşehir / İstanbul Türkiye
Tel: 212 297 57 30 Fax: 212 297 57 33 E-mail : dd@ddvalve.com Web: www.ddvalve.com