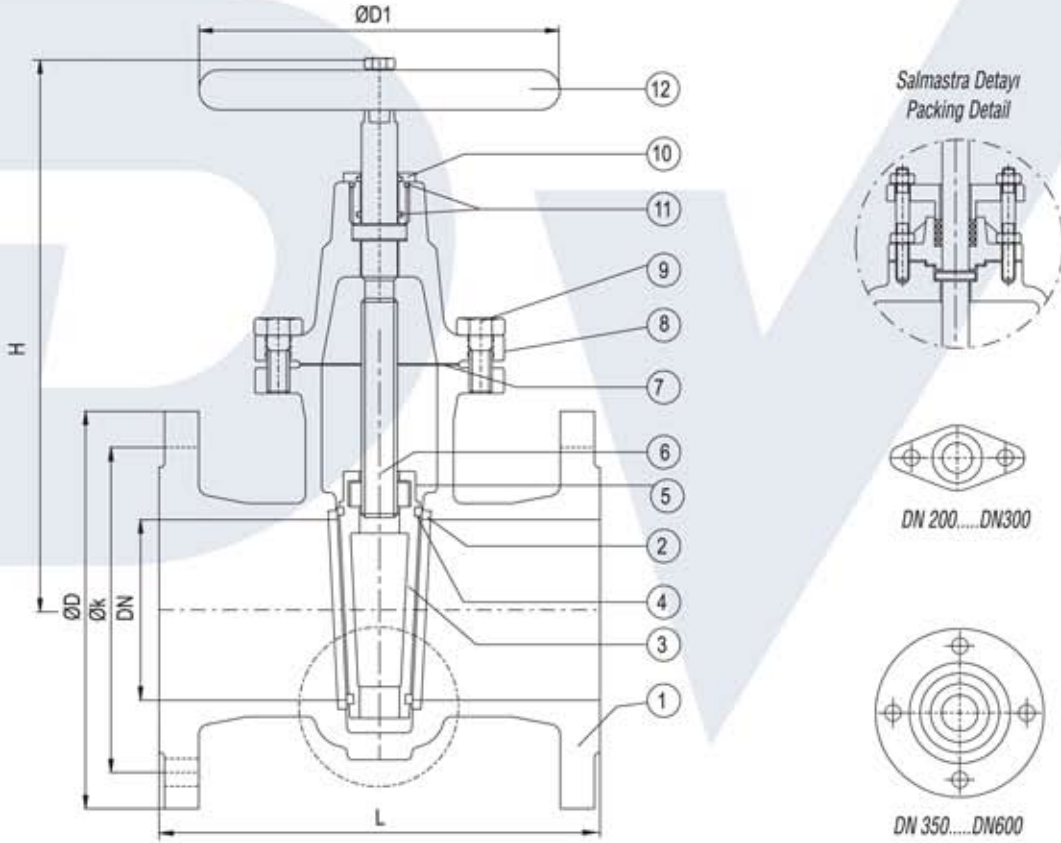


GATE VALVE SÜRGÜLÜ VANA



O-RING SİSTEMLİ
PN10/PN16
TS 457/1a
DIN 3352/2-F5(DIN 3225)
DN 40....600
BBFT No:207-500

NO	PART NAME	PARÇA ADI	MATERIAL / MALZEME
1	Body	Gövde	GG 25 / GGG-40/50
2	Body seat	Gövde Burcu	Ms 58/Bronze/S.S
3	Wedge	Sürgü	GG 25 / GGG-40/50
4	Wedge seat	Sürgü Burcu	Ms 58/Bronze/S.S
5	Stem nut	Sürgü Somunu	Ms 58/Bronze/S.S
6	Stem	Mil	Ms 58/Bronze/S.S
7	Gasket	Conta	NBR/Franzell/Klingerit
8	Bonnet	Kapak	GG 25 / GGG-40/50
9	Bolt	Çivata	5 D / S.S
10	Packing nut	Mil Somunu	Ms 58/Bronze/S.S
11	O-Ring	O-Ring	EPDM
12	Handwheel	Volan	GG 20



Nominal Pressure / Anma Basıncı	PN 10 / 16															
Nominal Diameter / Anma Çapı	DN	40	50	65	80	100	125	150	200	250	300	350	400	500	600	
Valve Dimensions Vana Boyutları TS 457/1a DIN3352/2-F5	L	240	250	270	280	300	325	350	400	450	500	550	600	700	800	
	H	215	220	265	300	320	370	415	590	675	750	870	950	1200	1330	
	D1	200			250			315			400			620		
Flange Dimensions / Flang Ölçüleri DIN2501/TS 810 PN 10	D	150	165	185	200	220	250	285	340	395	445	505	565	670	780	
	k	110	125	145	160	180	210	240	295	350	400	460	515	620	725	
Flange Dimensions / Flang Ölçüleri DIN2501/TS 810 PN 16	D	150	165	185	200	220	250	285	340	405	460	520	580	715	840	
	k	110	125	145	160	180	210	240	295	355	410	470	525	650	770	
Weight / Ağırlık kg	kg	13.3	15.3	22.2	26.8	36	47	59	141	195	285	371	460	751	1143	



Adres : İkitelli OSB Eskoop Sanayi Sitesi C8 Blok No:549 Başakşehir / İstanbul Türkiye
Tel: 212 297 57 30 Fax: 212 297 57 33 E-mail : dd@ddvalve.com Web: www.ddvalve.com